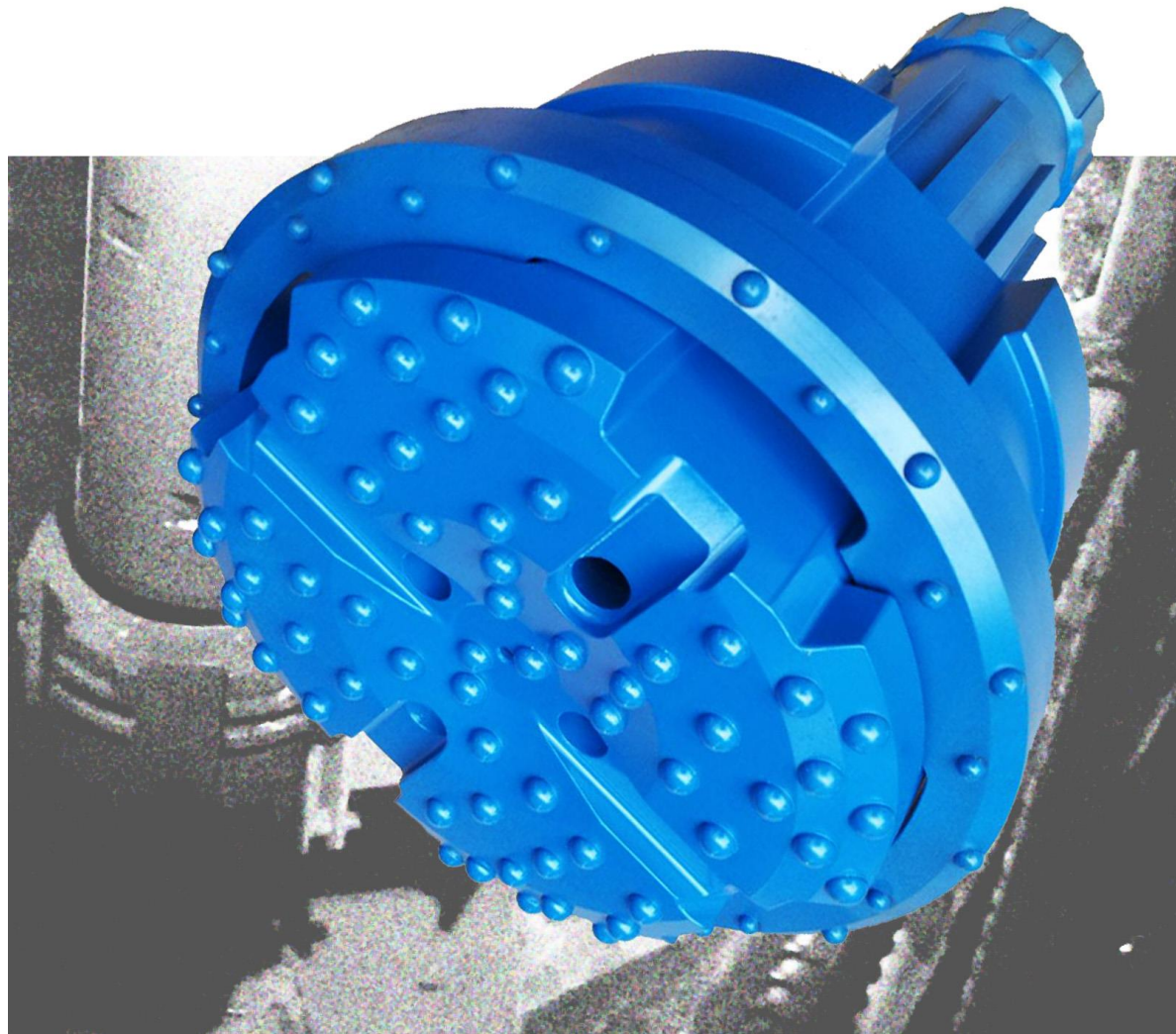


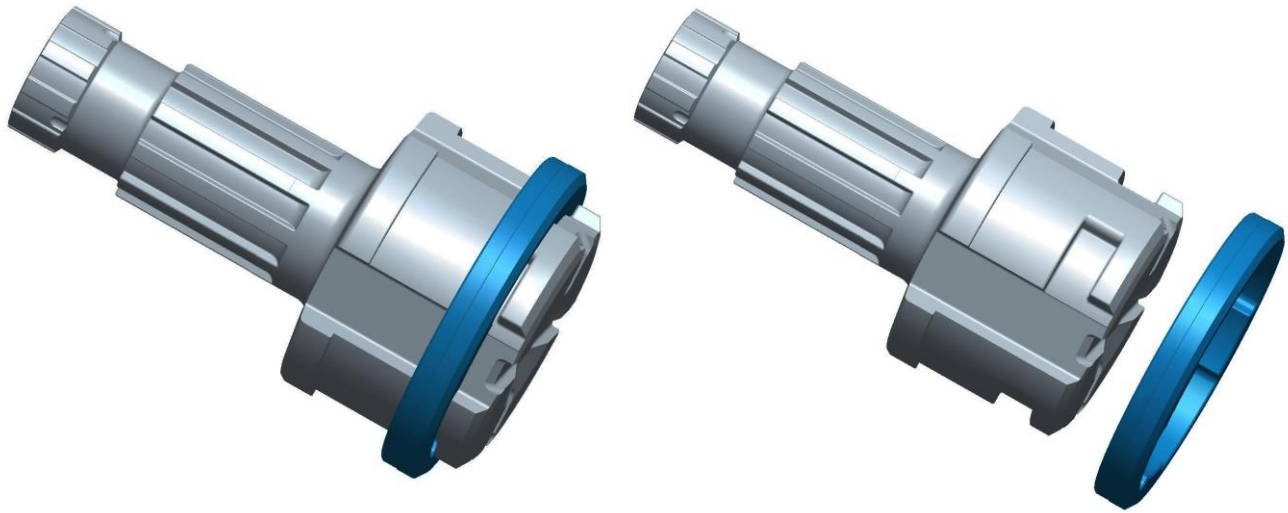
PITELUMEC

THE PRING-E 400 RING BIT CASING SYSTEM



CASING SIZE 457MM OD X 425MM ID DRILLING DIA. 480MM

PNEUMEC PRING-E 400 CASING SYSTEM



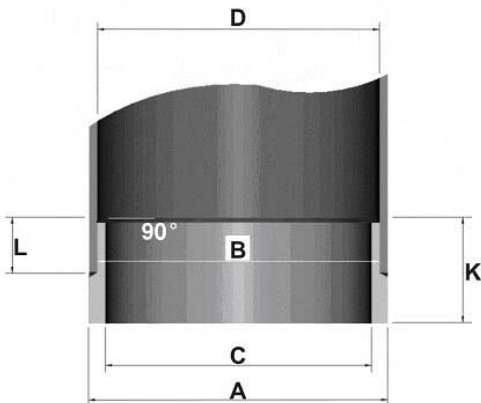
PRING-E 400 PARTS LIST

1.	DRIVER BIT N125 SHANK	UGD400125RE
2.	RING	URB400RE
3.	COMPLETE SYSTEM	UCS400125RE

PRING-E 400 SPECIFICATIONS

UPPER BODY DIAMETER	421MM	RING ID	360MM
RING OD	480MM	CASING SIZE	457MM OD X 425MM ID
SYSTEM LENGTH	791MM	SYSTEM WEIGHT	385KG

PRING-E 400 CASING SHOES



DIA. A	457MM
DIA. B	422MM
DIA. C	403MM
DIA. D	425MM
L	40MM
K	90MM



PNEUMEC COMPANY LIMITED

1st Floor, Tin On Sing Comm. Bldg., 41-43 Graham St. Central, H.K.

Tel : (852) 2180 9922

Website : www.pneumec.com

Fax : (852) 2180 9982

email : info@pneumec.com